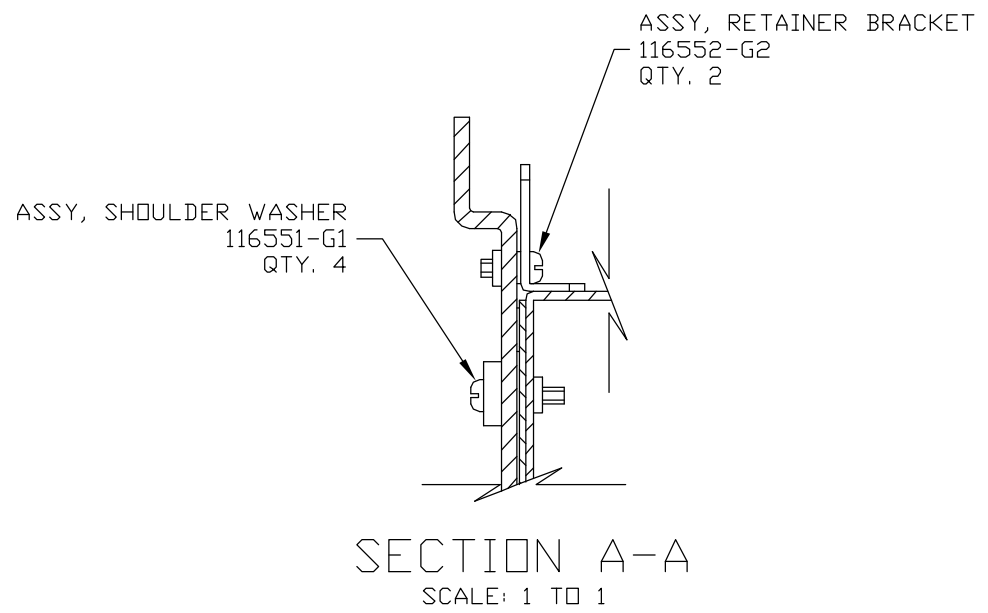
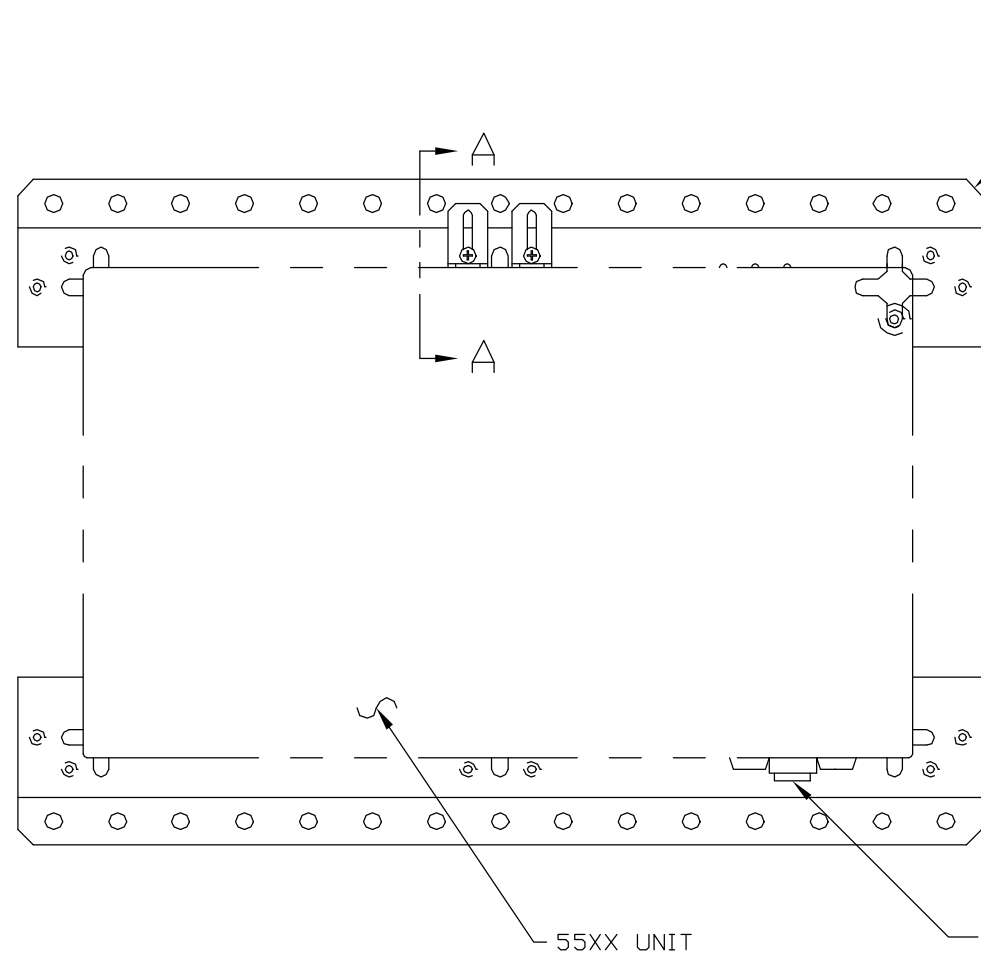
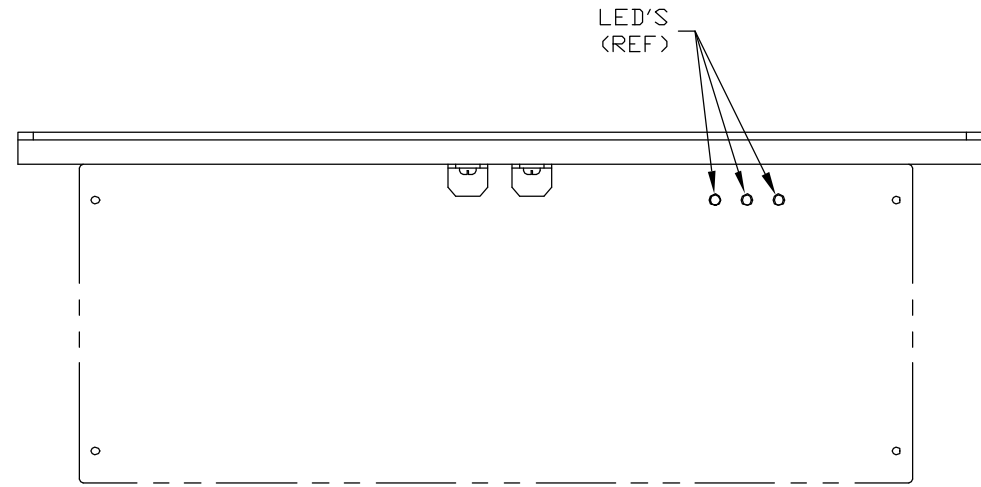


REVISIONS			
E.C.O.	REV.	DESCRIPTION	DATE
		SEE SHEET 1	



G			MATERIAL:	UNLESS OTHERWISE SPECIFIED DIMENSIONS ARE IN INCHES AND INCLUDE CHEMICALLY APPLIED OR PLATED FINISHES			SIGNATURE	DATE	DRANETZ-BMI EDISON, NEW JERSEY U.S.A.	
G				TOLERANCES			DWN. S. KIEWIT	4-9-99		
G			FINISH:	BASIC DIMENSION	DECIMALS		CKD.		ENCLOSURE BRACKET OPTION	
G	116614-G[]	DATANODE		UNDER 6	2 PLACE	3 PLACE	APPR.		SIZE	CODE IDENT. No.
G1	116469-G[]	INFONODE		6-24 INCL	± .02	± .005			C	23207
GROUP	NEXT ASSEMBLY	UNIT USED ON	COML TOL APPLY TO STK SIZES	OVER 24	± .03	± .010			116533-G2	REV.
	APPLICATION			ANGLES ±1/2°	± .06	± .015			A	
				FILE NAME:	EXCEPT AS MAY BE OTHERWISE PROVIDED BY CONTRACT, THESE DRAWINGS AND SPECIFICATIONS ARE THE PROPERTY OF DRANETZ-BMI, ARE ISSUED IN STRICT CONFIDENCE, AND SHALL NOT BE REPRODUCED, OR COPIED, OR USED AS THE BASIS FOR THE MANUFACTURE OR SALE OF APPARATUS WITHOUT PERMISSION.			SCALE: 1:2	SHEET: 2 OF 2	